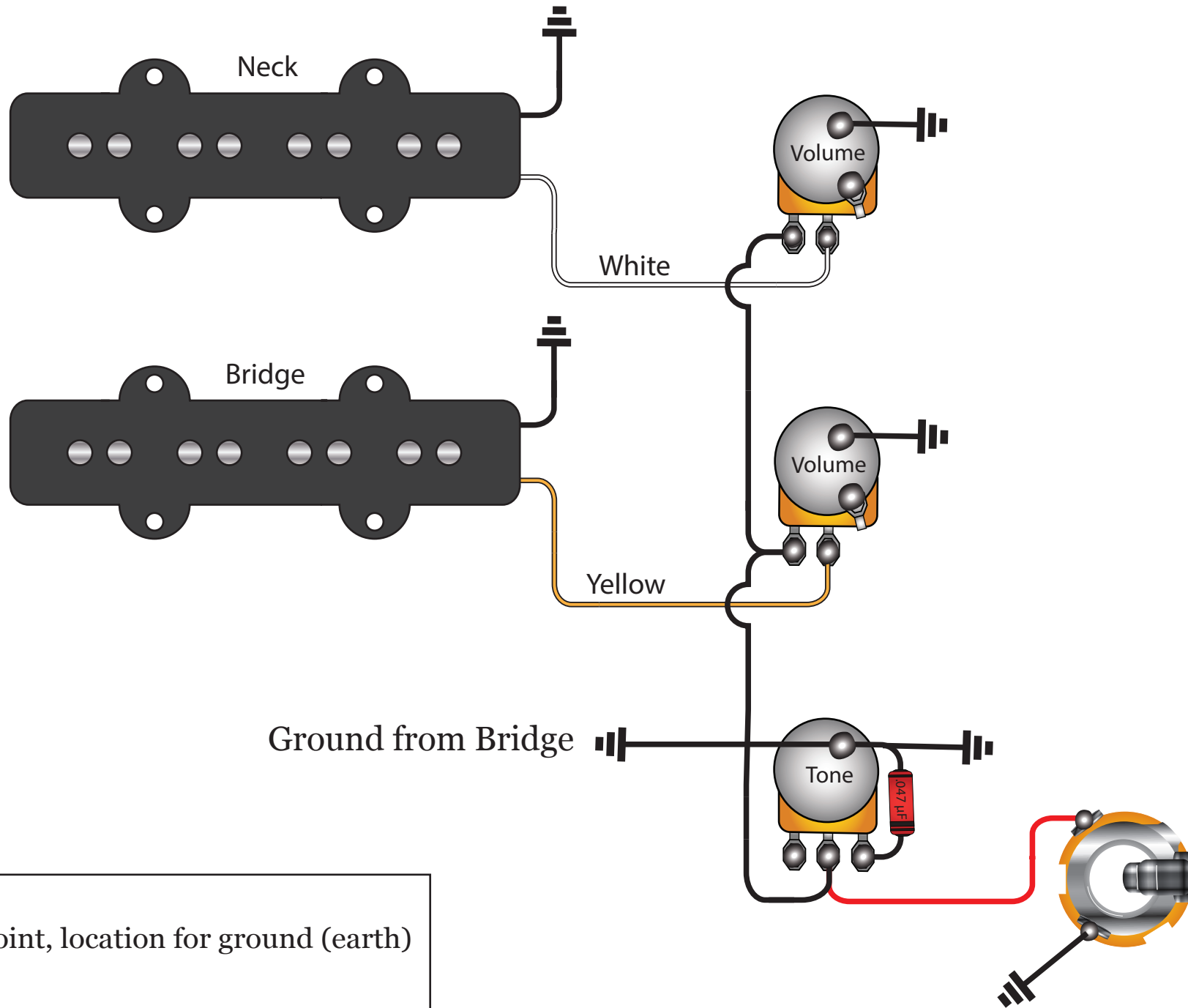


Jazz Bass Standard Wiring



● = Solder Joint, location for ground (earth)

⏏ = Ground connection (earth)

Suggested Pot: 250k

Suggested Capacitor: .047µF

